

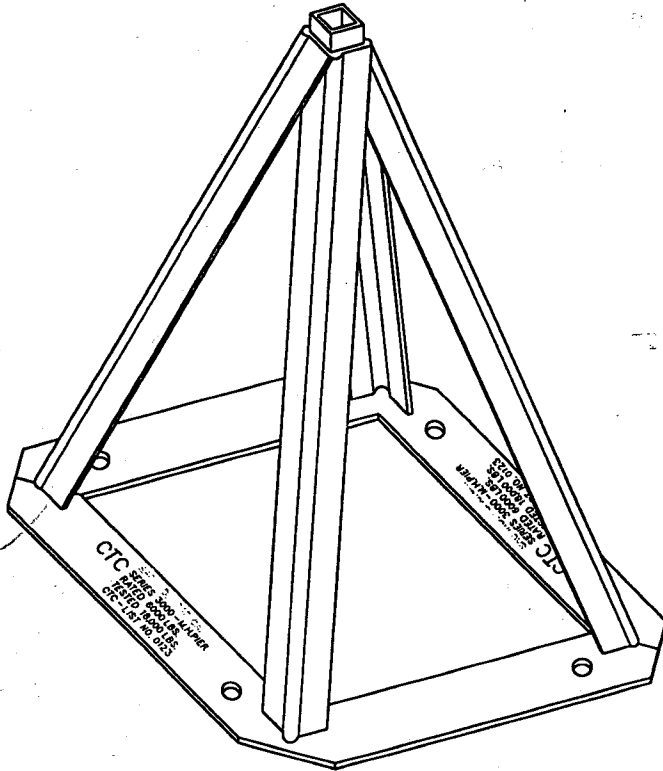
PGM Inc  
**STEEL PIERS**

ADJUSTABLE STEEL PIERS & TOPS

GENERAL NOTES

DESIGN LOADS:

- \* STEEL PIERS ----- 6,000 LB. RATED LOAD CAPACITY  
 18,000 LB. MINIMUM TESTED LOAD CAPACITY
- \* STEEL PIERS SHALL BE COATED WITH RUST RESISTANT COATING AND SHALL BE LISTED AND LABELED FOR THE FOLLOWING LOAD:  
 VERTICAL=6,000 POUNDS MAXIMUM



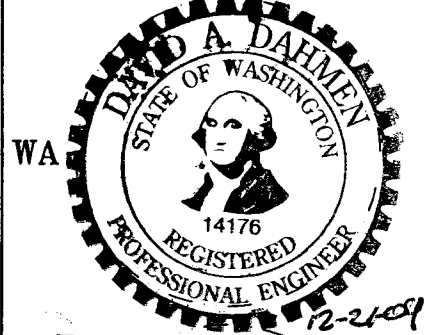
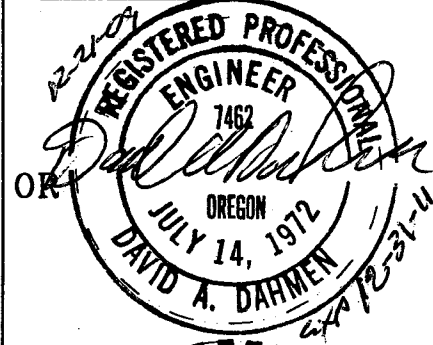
STATE APPROVAL

PGM Inc  
 21822 Old Hwy 99  
 Centralia, WA 98532  
 888-265-8981

CA

PACIFIC CONSULTING ENGINEERS  
 2150 BELL AVE. SUITE 145  
 SACRAMENTO, CA. 95838  
 PH: (916) 564-6028

ENGINEER APPROVAL



EXPIRES: 7/14/14

ID

UT

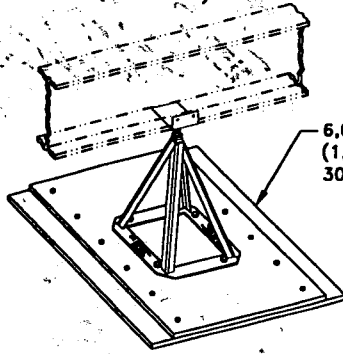
AZ

NV

CO

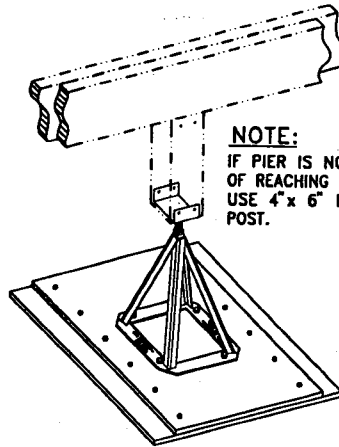
# ADJUSTABLE STEEL PIERS

## CHASSIS BEAM SUPPORT (TYPICAL)

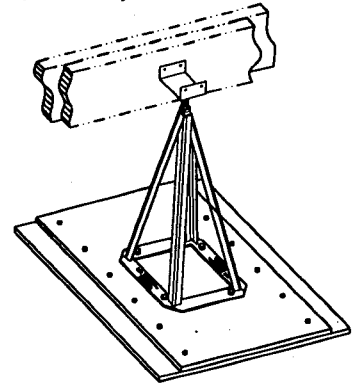


6,000 LB. PAD  
(1,000 PSF SOIL)  
30" x 32" PLYWOOD PAD

## MATING LINE SUPPORT (TYPICAL)



NOTE:  
IF PIER IS NOT CAPABLE OF REACHING RIDGE BEAM, USE 4" x 6" I.D.F. WOOD POST.



## INSTALLATION INSTRUCTIONS

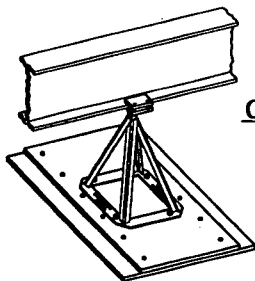
1. PREPARE A LEVEL SURFACE AT THE LOCATION OF EACH PIER TO INSURE A FULL CONTACT FOR THE FOOTING PAD. USE THE APPROPRIATE SIZE PAD FOR THE LOAD REQUIRED. REFER TO THE MANUFACTURERS SET UP MANUAL FOR SPECIFIC LOADS AND FOOTING SIZES.
2. SELECT THE APPROPRIATE SIZE PIERS FOR THE INSTALLATION BY DETERMINING THE PIER HEIGHT AT EACH SUPPORT LOCATION. MEASURE FROM THE TOP OF THE PAD TO THE BOTTOM OF THE CHASSIS BEAM TO INSURE THAT HEIGHT IS NO GREATER THAN 32".
3. SELECT THE APPROPRIATE TOP FOR THE CHASSIS BEAM OR MATING LINE. THE MAXIMUM ADJUSTMENT ON THE THREADED ROD ADJUSTER FOR CHASSIS BEAM SUPPORT IS 2". WHEN MORE HEIGHT IS NEEDED USE THE NEXT TALLER SIZE SUPPORT PIER.
4. PLACE THE PIER SUPPORT IN THE CENTER OF THE SUPPORT PAD. WHERE REQUIRED BY LOCAL CODE, ATTACH THE SUPPORT PIER TO THE PAD USING APPROPRIATE FASTENERS. CAREFULLY ALIGN THE SUPPORT PIER AND TOP UNDER THE CHASSIS BEAM OR MATING LINE AND TIGHTEN UNTIL SNUG PLUS 1/2 TURN.
5. REPEAT THIS INSTALLATION PROCEDURE WITH EACH SUPPORT PIER. AFTER ALL THE SUPPORT PIERS HAVE BEEN INSTALLED, AND THE HOME SET UP HAS BEEN COMPLETED PER THE MANUFACTURERS SET UP INSTRUCTIONS, YOU MAY THEN REMOVE THE SAFETY BLOCKING OF OTHER DEVICES USED TO LEVEL THE CHASSIS.

## LABORATORY TESTING REPORT

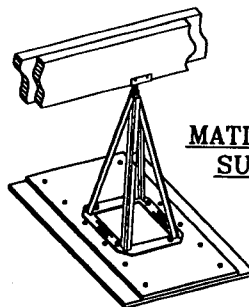
PART No.	STAND SIZE	SAMPLE #1	SAMPLE #2	SAMPLE #3
3008	8"	23,100 Lbs.	24,600 Lbs.	23,200 Lbs.
3010	10"	25,130 Lbs.	25,950 Lbs.	24,320 Lbs.
3012	12"	27,200 Lbs.	26,500 Lbs.	26,300 Lbs.
3014	14"	27,700 Lbs.	28,175 Lbs.	26,175 Lbs.
3016	16"	28,250 Lbs.	27,700 Lbs.	23,400 Lbs.
3018	18"	26,400 Lbs.	33,300 Lbs.	25,500 Lbs.
3020	20"	24,950 Lbs.	25,000 Lbs.	23,225 Lbs.
3022	22"	20,500 Lbs.	22,400 Lbs.	24,200 Lbs.
3024	24"	22,225 Lbs.	21,650 Lbs.	23,000 Lbs.
3026	26"	22,250 Lbs.	21,500 Lbs.	19,700 Lbs.
3028	28"	20,550 Lbs.	23,720 Lbs.	21,310 Lbs.
3030	30"	22,950 Lbs.	26,550 Lbs.	21,500 Lbs.

## PIER IDENTIFICATION STAMP

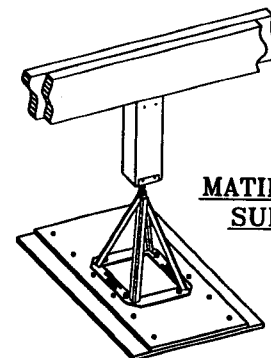
PGM Inc-Centralia, WA  
SERIES 3000-M H PIER  
RATED 6,000 LBS.  
TESTED 18,000 LBS  
C.T.C. LIST NO. 0123



CHASSIS BEAM SUPPORT

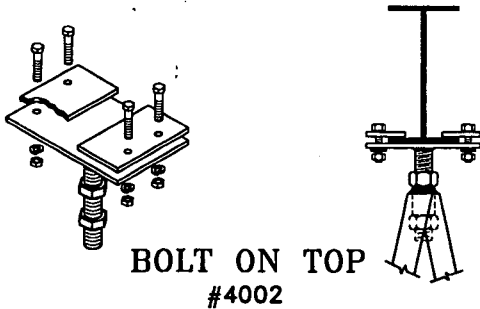


MATING LINE SUPPORT

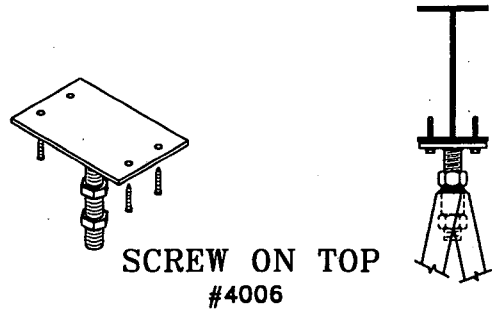


MATING LINE SUPPORT

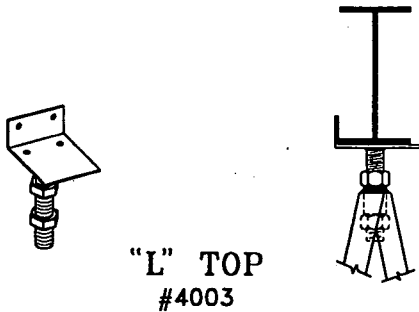
# ADJUSTABLE STEEL TOPS



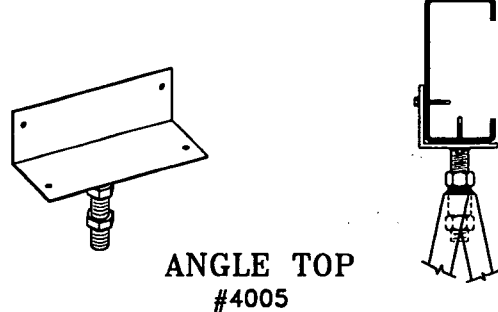
**BOLT ON TOP**  
#4002



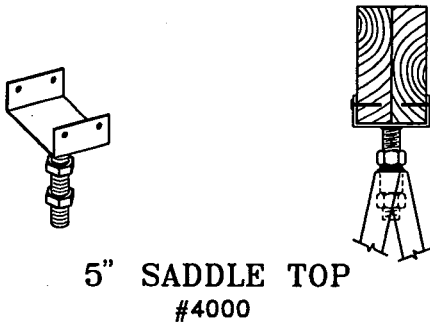
**SCREW ON TOP**  
#4006



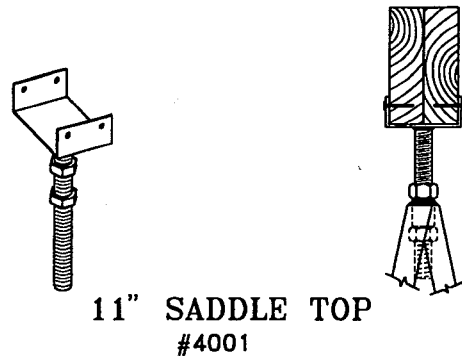
**"L" TOP**  
#4003



**ANGLE TOP**  
#4005



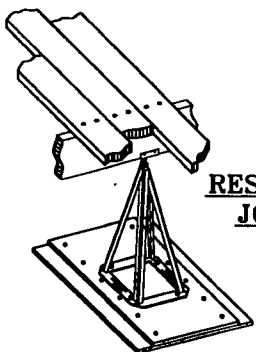
**5" SADDLE TOP**  
#4000



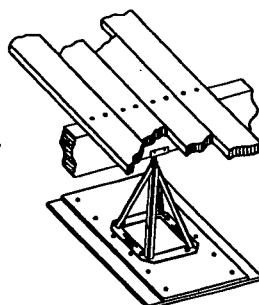
**11" SADDLE TOP**  
#4001

## INSTALLATION INSTRUCTIONS

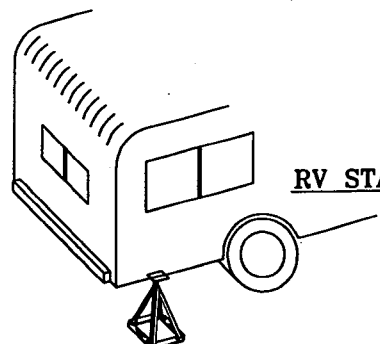
- #4000 - PLACE SADDLE TOP FLUSH AGAINST MAIN CHASSIS BEAM AND OR MATING LINE - MAXIMUM HEIGHT ADJUSTMENT OF TOP IS 2".
- #4001 - 11" SADDLE CAN TO BE USED ON MATING LINE SUPPORTS, PORCHES AND DECKS - ATTACH TOP OF PIER WITH 2nd 3/4" NUT - MAXIMUM HEIGHT ADJUSTMENT OF TOP IS 8".
- #4002 - ATTACH BOLT ON TOP TO "I" BEAM WITH (4) 3/8" BOLTS AND NUTS - WITH 2nd 3/4" NUT, ATTACH BOLT ON TOP TO PIER - MAXIMUM HEIGHT ADJUSTMENT OF TOP IS 2".
- #4003 - PLACE "L" TOP FLUSH AGAINST MAIN BEAM - ALTERNATE "L" TOP DIRECTION EVERY OTHER PIER - MAXIMUM HEIGHT ADJUSTMENT OF TOP IS 2".
- #4005 - PLACE ANGLE TOP FLUSH AGAINST MAIN BEAM ("C" BEAM or "RFC" BEAM) - MAXIMUM HEIGHT ADJUSTMENT OF TOP IS 2".
- #4006 - ATTACH SCREW ON TOP TO MAIN CHASSIS BEAM WITH (4) #12 SMS TEK SCREWS. WHEN USED AT MATING LINE AND OR PERIMETER, ATTACH WITH NAILS OR SCREWS. MAXIMUM HEIGHT ADJUSTMENT OF TOP IS 2".



**RESIDENTIAL FLOOR  
JOINT SUPPORT**



**DECK  
SUPPORT**

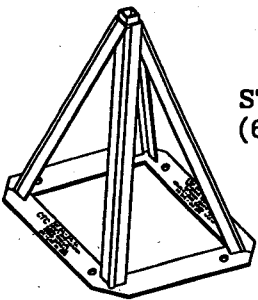


**RV STABILIZER**

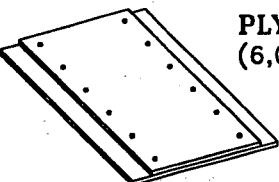
# PGM Inc SYSTEM SET

BOLT-ON TOP

(TYPICAL)



**STEEL PIER**  
(6,000 LB RATED)



**PLYWOOD PAD**  
(6,000 LB RATED)

## NOTES

CHECK MANUFACTURED HOME SET UP INSTRUCTIONS FOR LOADS AND LOCATIONS. WHEN USING PGM Inc 6,000 LB. RATED PAD (960 SQ. IN.) OR EQUIVALENT, AND PGM Inc 6,000 LB. RATED STEEL PIER, CHASSIS BEAM SUPPORT SPACING CAN BE 8 FT. O.C. THIS SPACING IS CALCULATED ON 1,000 PSF SOIL BEARING VALUE AND SQUARE INCH AREA OF PAD SIZE.

• **PIER DESIGN**  
Patent Pending

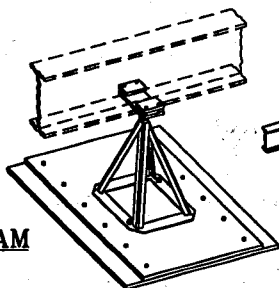
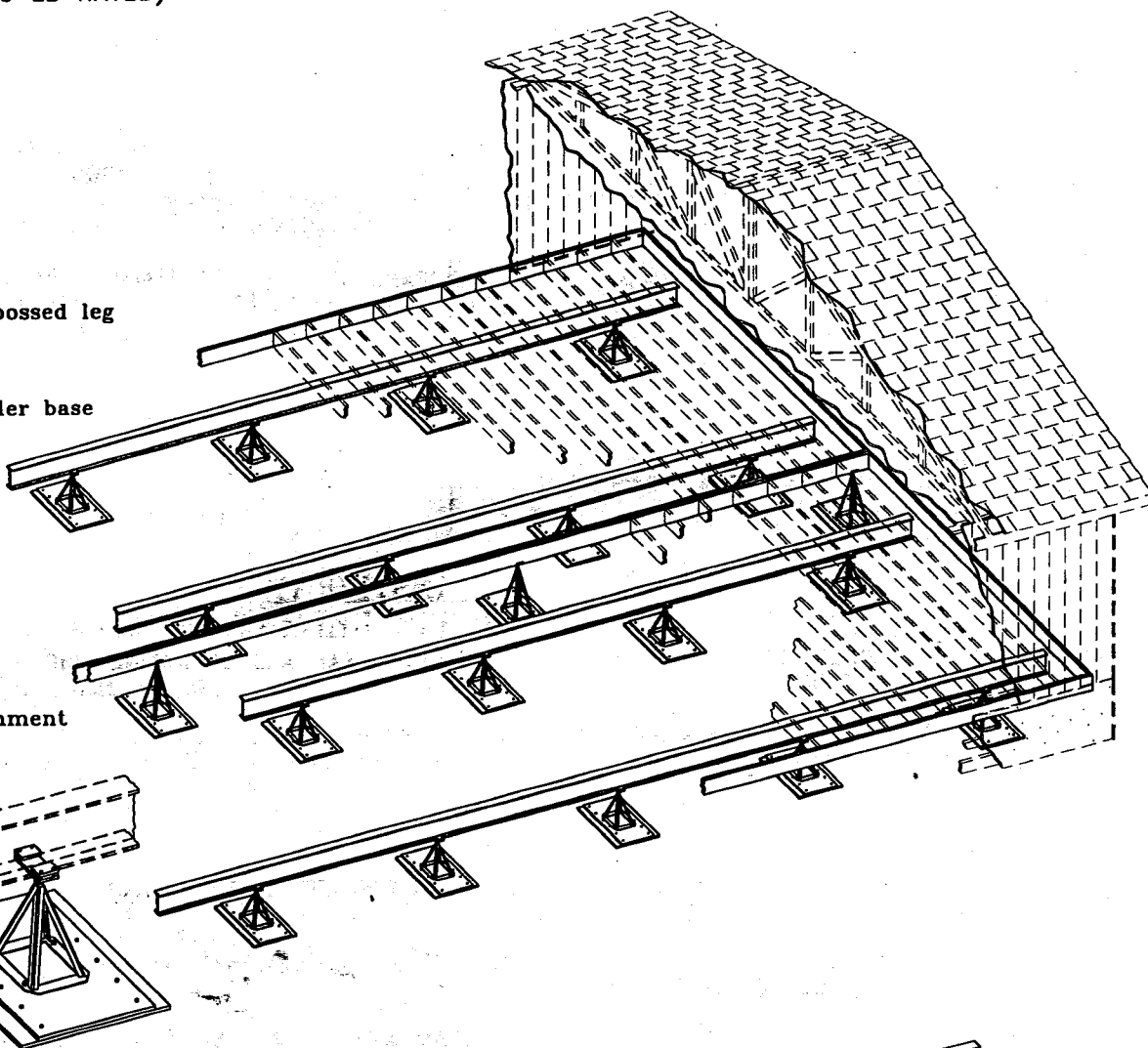
• **STRONGER**  
With new patented embossed leg

• **MORE STABLE**  
With new two piece wider base

• **STATE APPROVED**  
Tested-Listed-Labeled  
Stamped in Base Plate

• **6,000 LB. RATED**  
3-1 Safety Factor

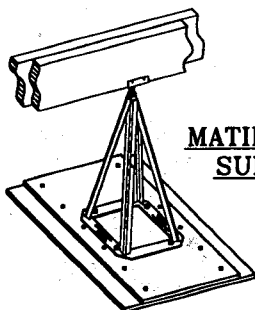
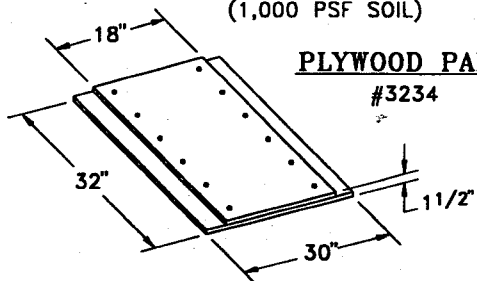
• **HOLES PRE-PUNCHED**  
In base for easy attachment  
to pad or footing



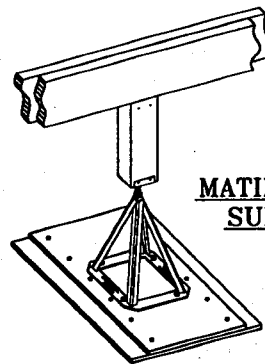
**CHASSIS BEAM SUPPORT**

6,000 LB PAD  
(1,000 PSF SOIL)

**PLYWOOD PAD**  
#3234



**MATING LINE SUPPORT**



**MATING LINE SUPPORT**